



WORKSWELL FIXED HOUSING FOR THERMAL CAMERAS

Datasheet

Workswell Fixed Housing for Thermal Cameras

Introduction

Workswell protective fixed housing for thermal cameras (“WHTC”) is specially designed for using in various industrial, fire-safety and surveillance applications. The housing is suitable for different thermal cameras that can be equipped with smaller or bigger lenses. Workswell fixed housing offers effective protection IP67 against dust, rain, snow and freezing conditions due to integrated heater system.

The main part of the housing is very well optimized for maximum heat dissipation from camera electronics. For this reason is thermal measurement stable even at high operational temperature fluctuations. The open system allows an easy access for installation of different kind of infrared cameras including Workswell WIC, Workswell SMARTIS, FLIR A-series etc.

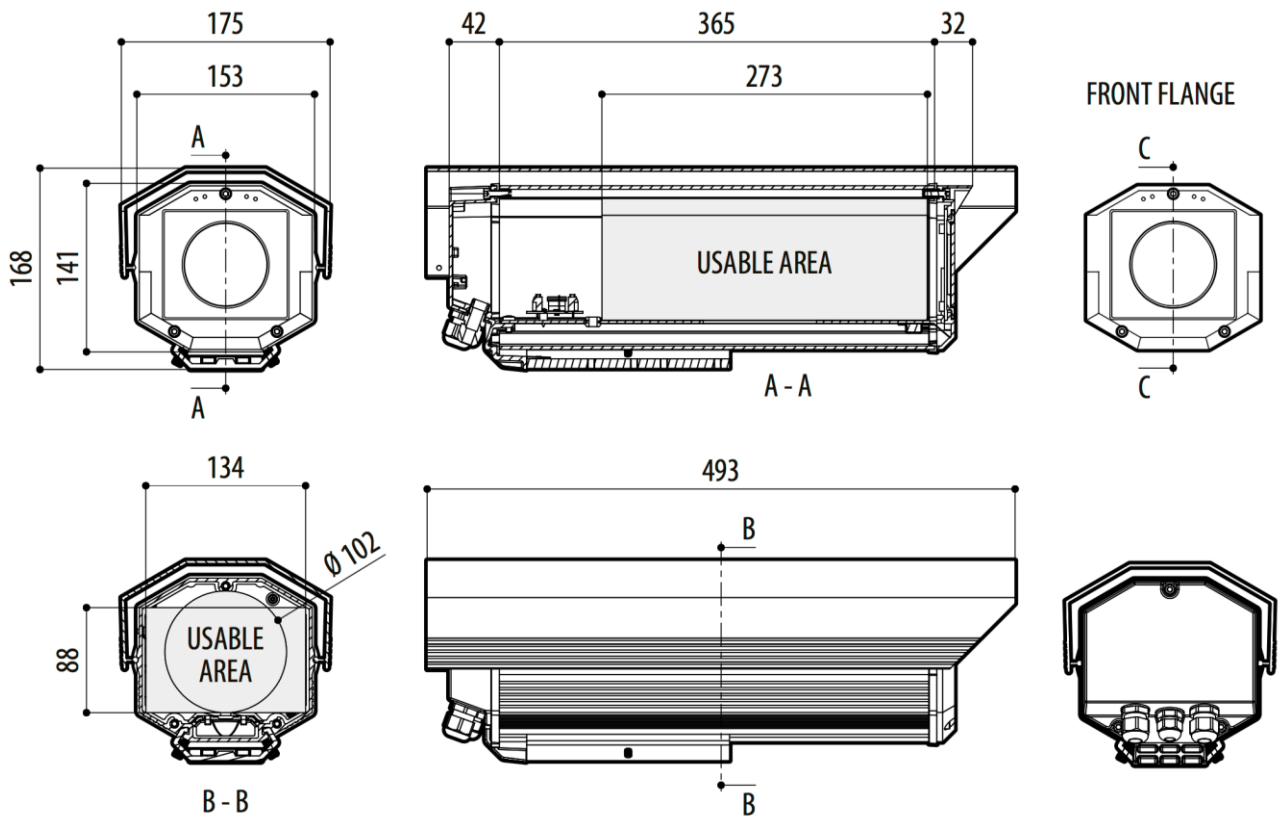


Workswell Fixed Housing Technical Specification

General information	
Germanium window	
Die-cast aluminum back and front cover plates	
Extruded aluminum body and external slide	
Stainless steel external screws	
Compatible cameras	Workswell: WIC (all lenses), SMARTIS (all lenses) FLIR: A3xx / A325sc (15°, 25°, 45°, 90°), A615 / A655sc (25°, 45°, 80°)
Mechanical information	
Cable glands	3 x M16
Internal usable area (W x H x L)	134 x 88 x 273 mm
Weight	4.1 kg
Germanium window information	
Material	Germanium
Spectral range	7.5 – 14 μm
Dimensions	External 70mm, Internal 55mm
Thickness	2mm
External treatment	Scratch resistant (Hard Carbon Coating), Antireflection
Internal treatment	Antireflection
Power supply and heating	
Camera power supply	IN 100 – 240 V AC, 50-60 Hz - OUT 12 V DC, 20 W max IN 230 V AC – OUT 24 V AC, 50/60 Hz, 400 mA
Heater	On Temperature 15°C ± 3°C Off Temperature 22°C ± 3°C
Operating environment	
Indoor / Outdoor	Yes
IP protection	EN60529, IP66/IP67 with cable glands
Operating temperature with heating	-20°C...+60°C
Certification	
Electrical safety (CE)	EN60065
Electromagnetic compatibility (CE)	EN50130-4, EN61000-6-3
EAC certification	Yes



Dimensions (in millimetres)



Contacts

Sales Department

Mobile: +420 725 955 464

E-mail: sales@workswell.eu

Company contact details

Mobile: +420 725 877 063

E-mail: info@workswell.eu

Web: www.workswell.eu

Headquarters

Workswell s.r.o.

Libocka 653/51b

160 00, Prague 6

Czech Republic

Partners Worldwide

Visit our [website](#) for more details

